



DC Di Candia Ruote
Made in Italy

Bakery trolleys wheels and castors line

DITHERM[®]
TERMOTEX[®]



Since 1959 the wheels for bakery trolleys



Ditherm MTW | Termotex wheels and castors series, the original wheel for bakery trolleys

Made of exclusive DC developed Ditherm® monolithic material, phenolic free, 90° Shore D hardness, high load capacity, smooth rolling and non-marking on non-abrasive floors, colour black, heat resistant up to +300°C. Suitable for freezing to -40°C. High chemical resistance to many substances. These wheels can be affected by higher abrasion on certain floor conditions and rugosity, ask for the full rugosity chart compatibility and performances to our offices.

Ditherm RHT wheels and castors series, the black synthetic food grade rubber wheel

Tread : Made of special food grade elastic rubber for high temperatures, 72°C Shore A hardness, mechanically bonded on Ditherm® core through an exclusive DC process, extremely high operational comfort, silent, highly elastic, extremely high floor care, high abrasion resistance, stable during time. Colour natural black, non-marking. Suitable for autoclaves. Heat resistant up to +260°C and for freezing to -40°C.

Wheel centre : Made of exclusive Ditherm® monolithic material, phenolic free, colour black.

Ditherm RXT wheels and castors series, the white synthetic food grade rubber wheel

Tread : Made of special food grade elastic rubber for high temperatures, 76°C Shore A hardness, mechanically bonded on Ditherm® core through an exclusive DC process, extremely high operational comfort, silent, highly elastic, extremely high floor care, high abrasion resistance, stable during time. Colour natural white, non-marking. Suitable for autoclaves. Heat resistant up to +300°C and for freezing to -40°C.

Wheel centre : Made of exclusive Ditherm® monolithic material, phenolic free, colour white.

Ditherm XTW wheels and castors series, the unique wheel for 400°C in composite materials

Made of exclusive DC developed XHT® compound, including synthetic and natural fibers, very high mechanical strength, silent on even floors and unique of its kind to reach the temperature of +400°C and freezing to -50°C. Colour dark brown with fibers stripes. These wheels can be affected by higher abrasion on certain floor conditions and rugosity, ask for the full rugosity chart compatibility and performances to our offices.

Ditherm LTW wheels and castors series, Polyamide 6 HD and fiberglass

Made of high-quality Polyamide 6HD filled with glass fibers and additional natural fibers, vacuum injected, impacts resistance and heat resistance up to +150°C, 80° Shore D hardness, very low rolling and swivelling resistance, steam-proof and high abrasion resistant. Colour light gray / dark white, suitable for autoclaves and corrosion resistant. Suitable for freezing to -70°C.



DC Di Candia Ruote
Made in Italy

Bakery trolleys wheels and castors line

DITHERM[®]
TERMOTEX[®]



Since 1959 the wheels for bakery trolleys

Brief technical data.

Detailed descriptions available on our websites and Catalogues

Brackets material : Stainless Steel AISI 304L and pressed galvanized steel
Top plate size : 100x85 mm, fixing holes spacing 80x60 mm
Round plate size : Ø 77 mm, fixing bolt holes 12.3 mm
Wheel diameters : 80/100/125/150/200 mm
Load capacities : from 170 Kg to 520 Kg

Available bearings



DITHERM MTW
TERMOTEX

Brackets material : Stainless Steel AISI 304L and pressed galvanized steel
Top plate size : 100x85 mm, fixing holes spacing 80x60 mm
Round plate size : Ø 77 mm, fixing bolt holes 12.3 mm
Wheel diameters : 80/100 mm
Load capacities : from 100 Kg to 120 Kg

Available bearings



DITHERM RHT

Brackets material : Stainless Steel AISI 304L and pressed galvanized steel
Top plate size : 100x85 mm, fixing holes spacing 80x60 mm
Round plate size : Ø 77 mm, fixing bolt holes 12.3 mm
Wheel diameters : 100 mm
Load capacities : 120 Kg

Available bearings



DITHERM RXT

Brackets material : Stainless Steel AISI 304L and pressed galvanized steel
Top plate size : 100x85 mm, fixing holes spacing 80x60 mm
Round plate size : Ø 77 mm, fixing bolt holes 12.3 mm
Wheel diameters : 100/200 mm
Load capacities : 250 to 900 Kg

Available bearings



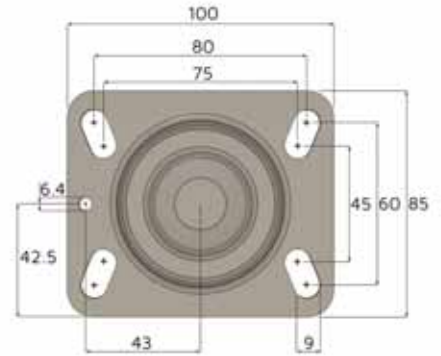
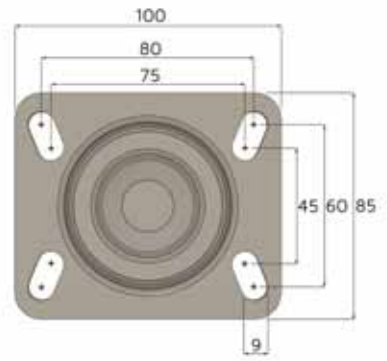
DITHERM XTW

Brackets material : Stainless Steel AISI 304L and pressed galvanized steel
Top plate size : 100x85 mm, fixing holes spacing 80x60 mm
Round plate size : Ø 77 mm, fixing bolt holes 12.3 mm
Wheel diameters : 80/100/125/150/200 mm
Load capacities : 200 to 900 Kg

Available bearings



DITHERM LTW



DC Di Candia Ruote
Made in Italy

DC Di Candia Ruote
Via Vittorio Veneto n.10
21010 Besnate, Italy
☎ +39 0331 274 014

Customers service email:
service@dcdicandia.com

Export offices email:
luca@dcdicandia.com

On the web:
www.dcdicandia.com
www.hightemperatures.com
www.hygienic-castors.com